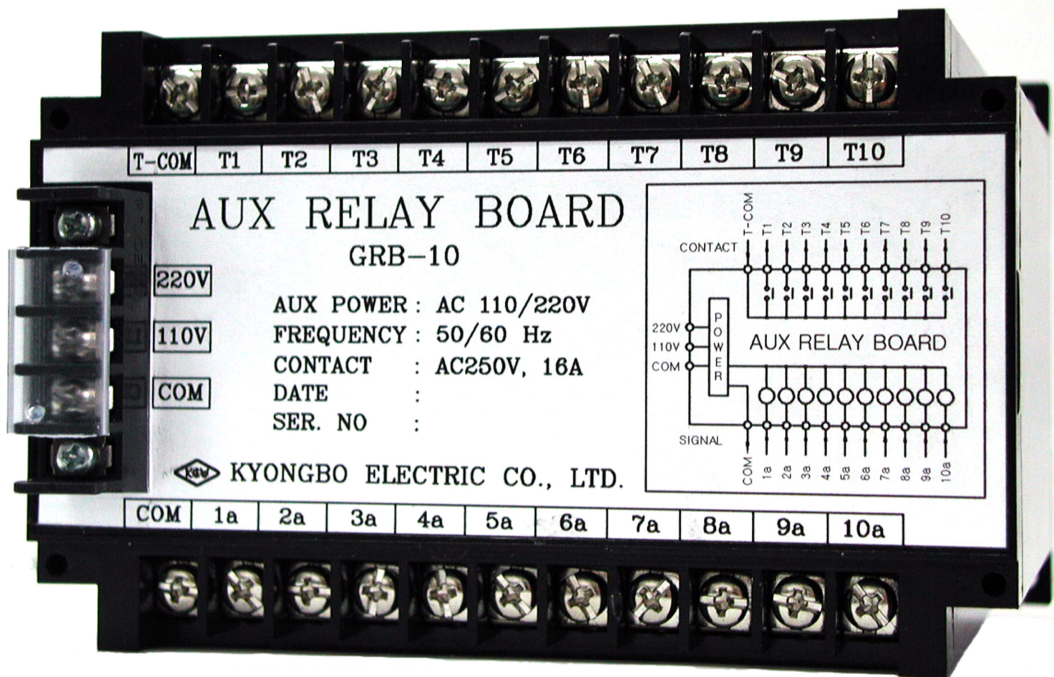
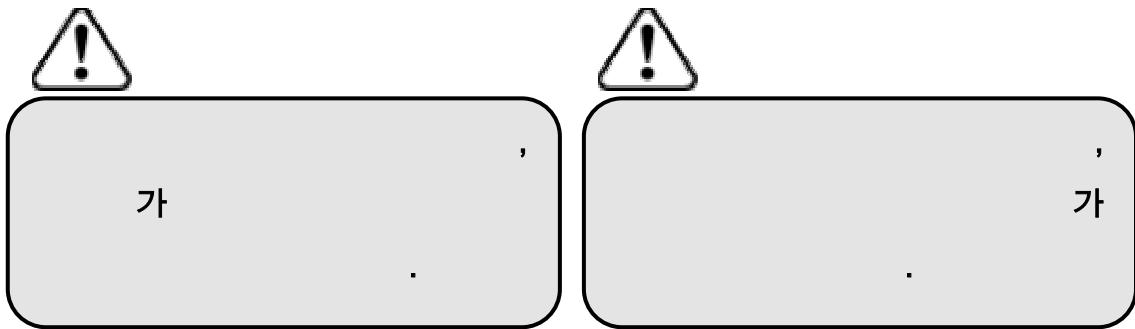


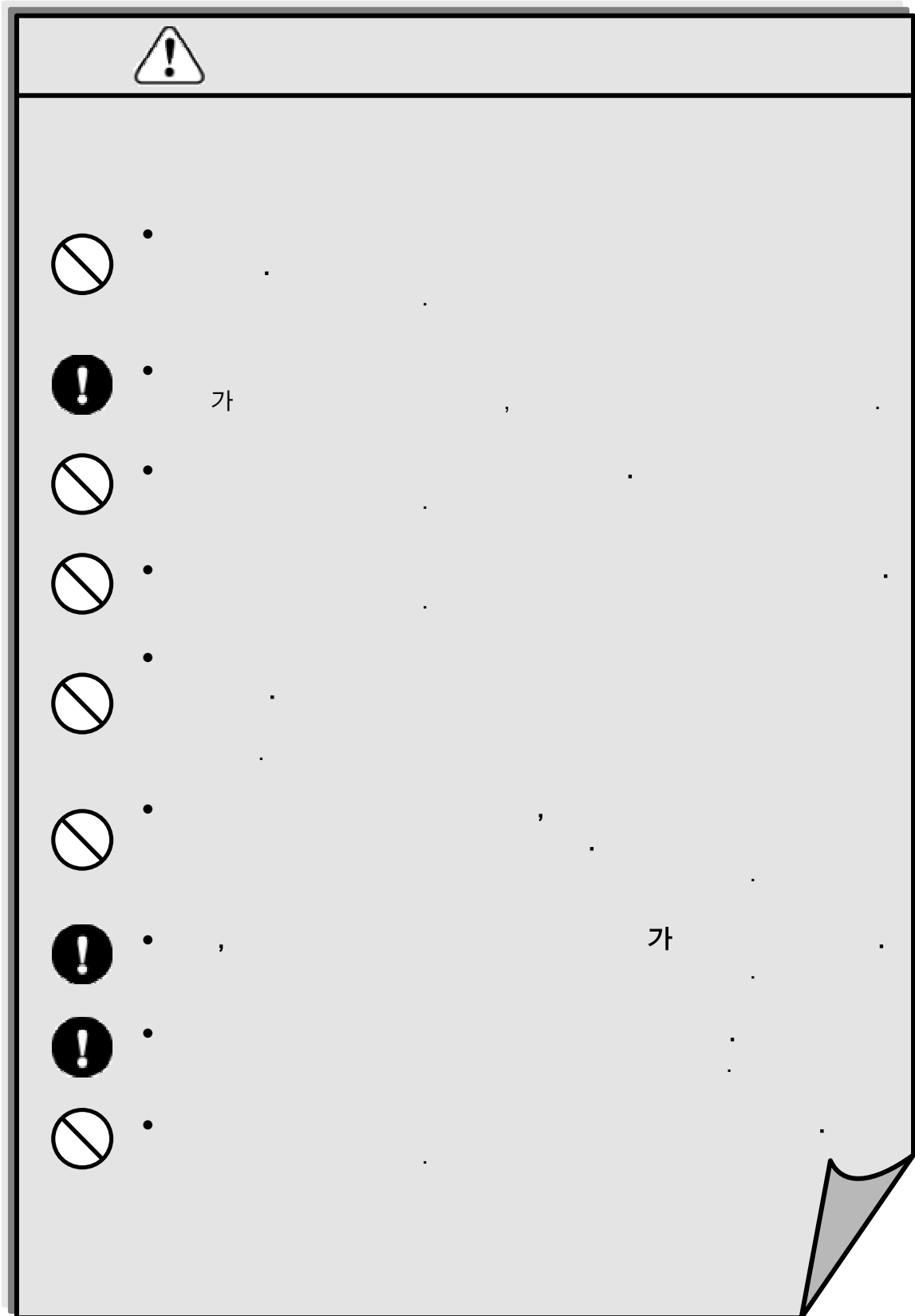
AUX RELAY BOARD

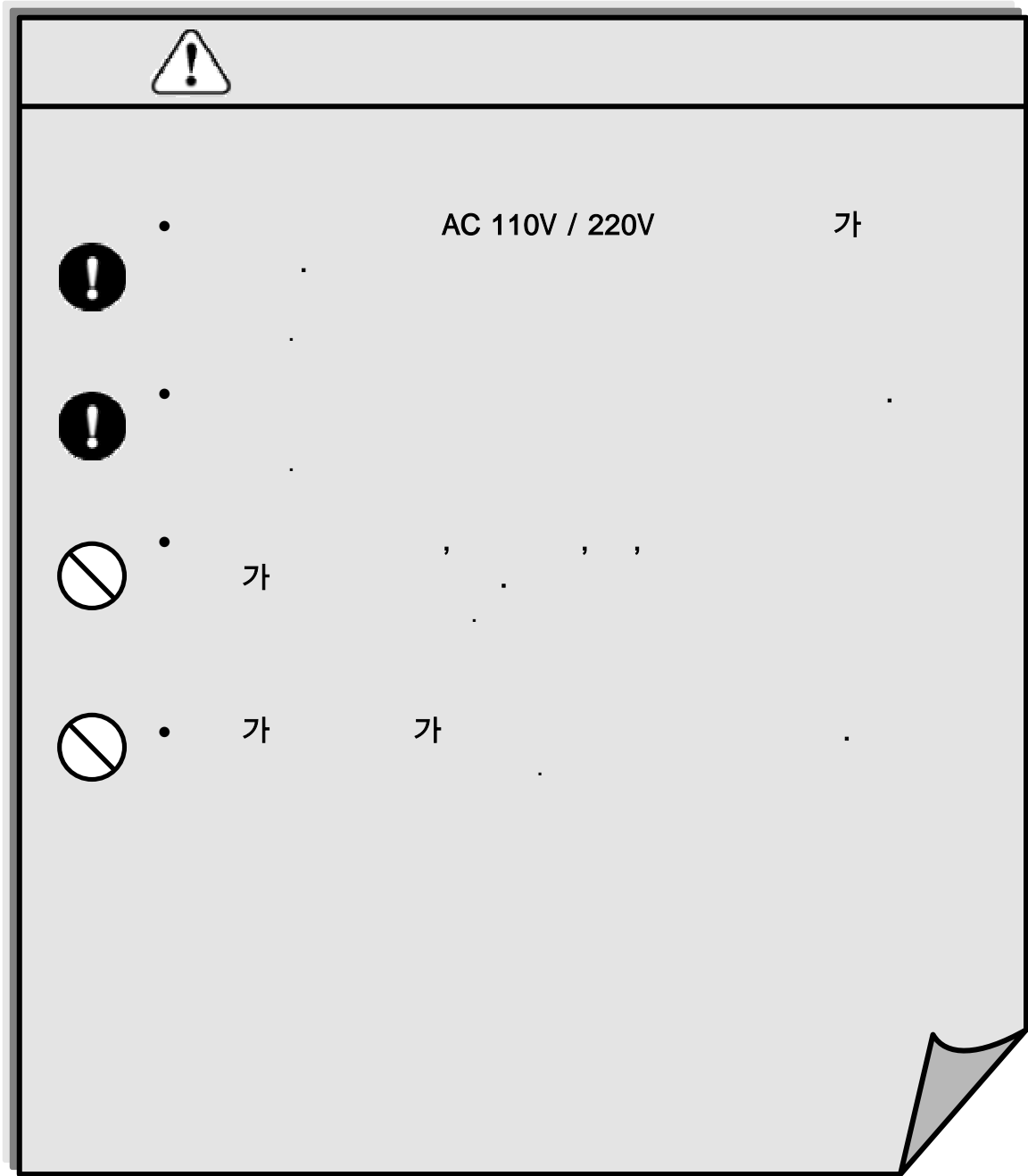
TYPE : GRB - 10

2004. 4. 1
Version 1.00









1. (General Features)

(GD10 - G01) MCCB MC .

2. (Features)

- GD10-G10 Aux Relay Board(GRB - 10) 가
- EMC / EMI
- 1 ~ 10
-

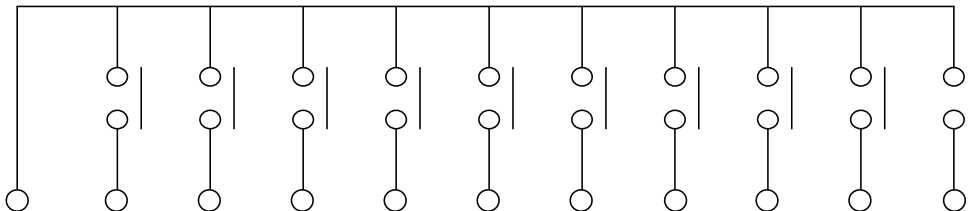
3. (Rated Specification)

	AUX RELAY BOARD
	AC 110V / 220V
	50 / 60Hz

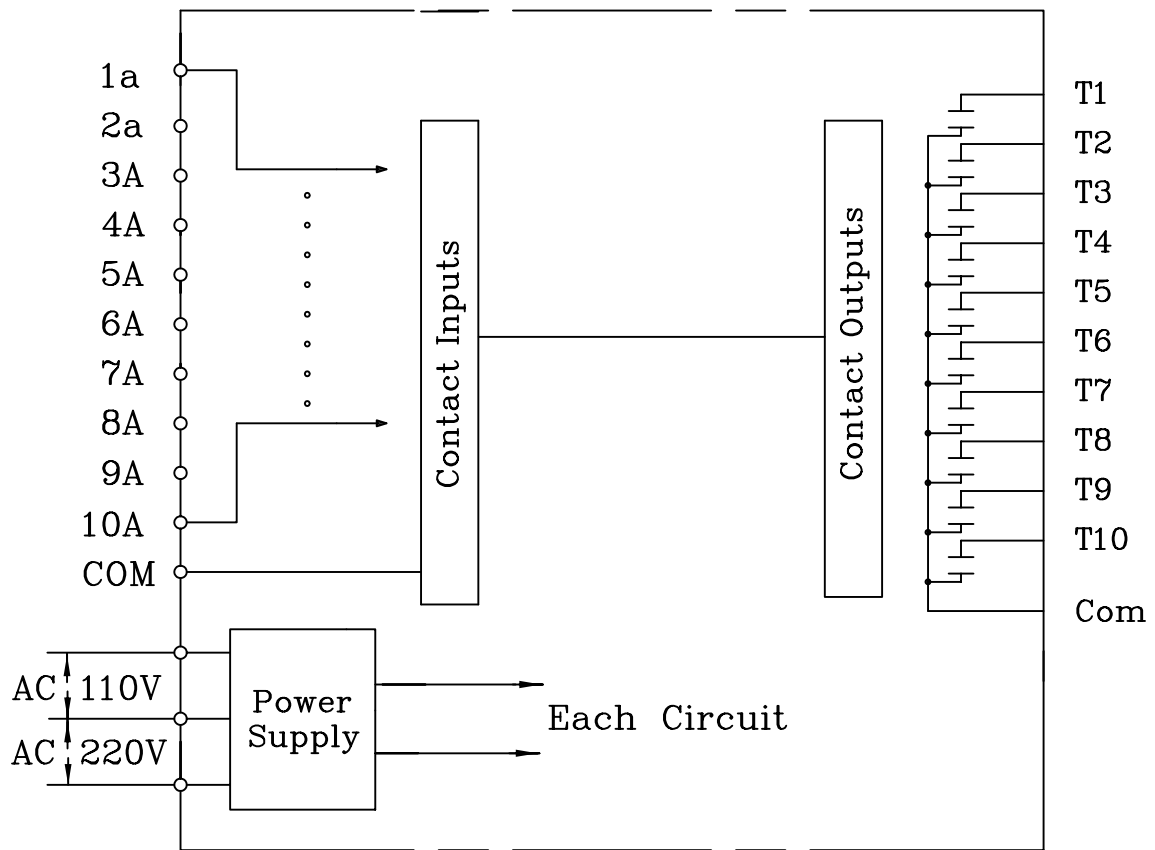
4. / (Output Contacts)

	16A at AC 250V 16A at DC 30V
	3,840VA
	Silver Alloy

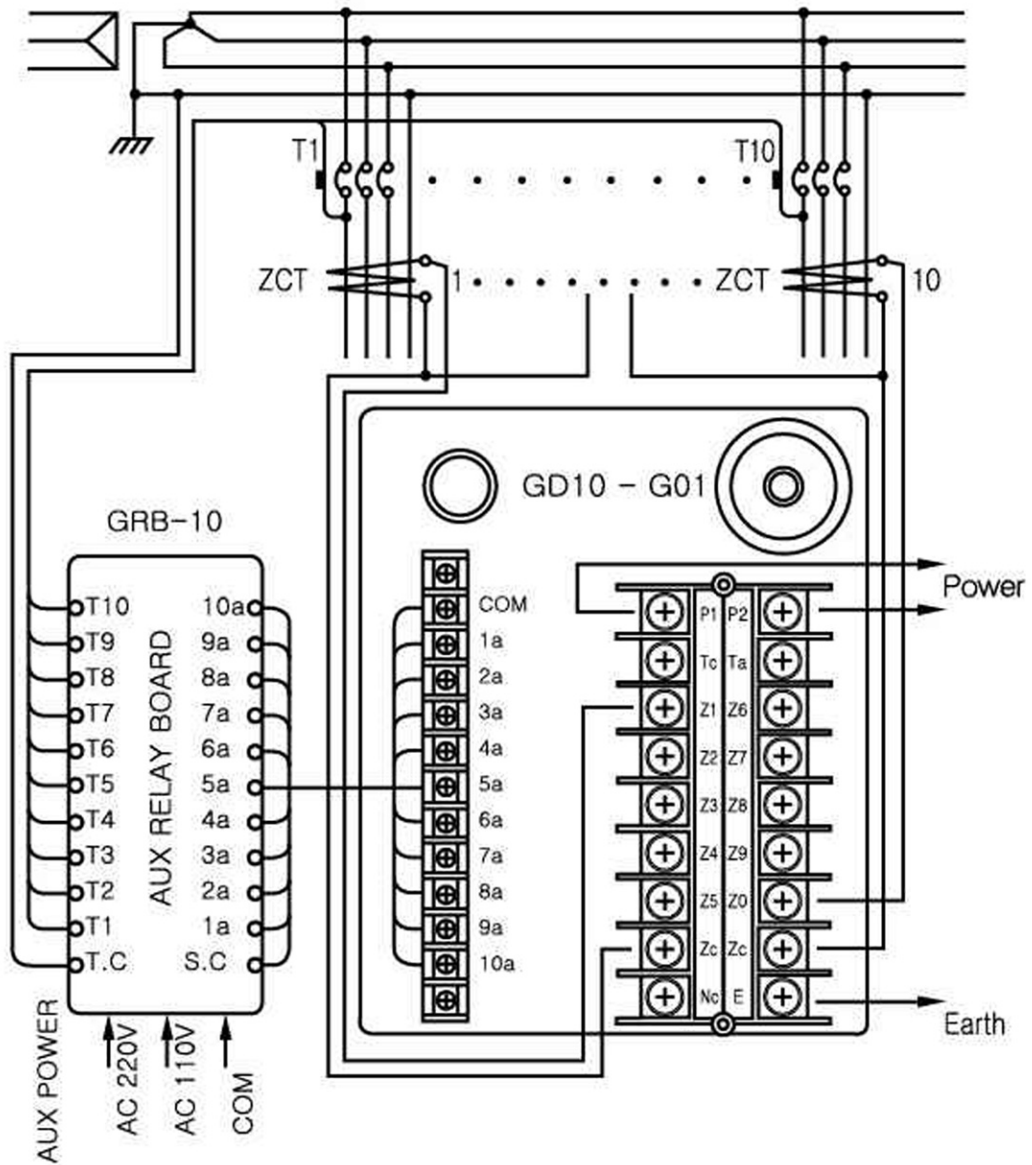
5. GD10-G01 (Output of GD10-G01)



6. (Internal Block Diagram)



7. (External Connection)



- 1. 가
- 2. Ta, Tc 20A 가
- 3. ZCT 3 4 가

8. (Dimensioned Drawings)

